

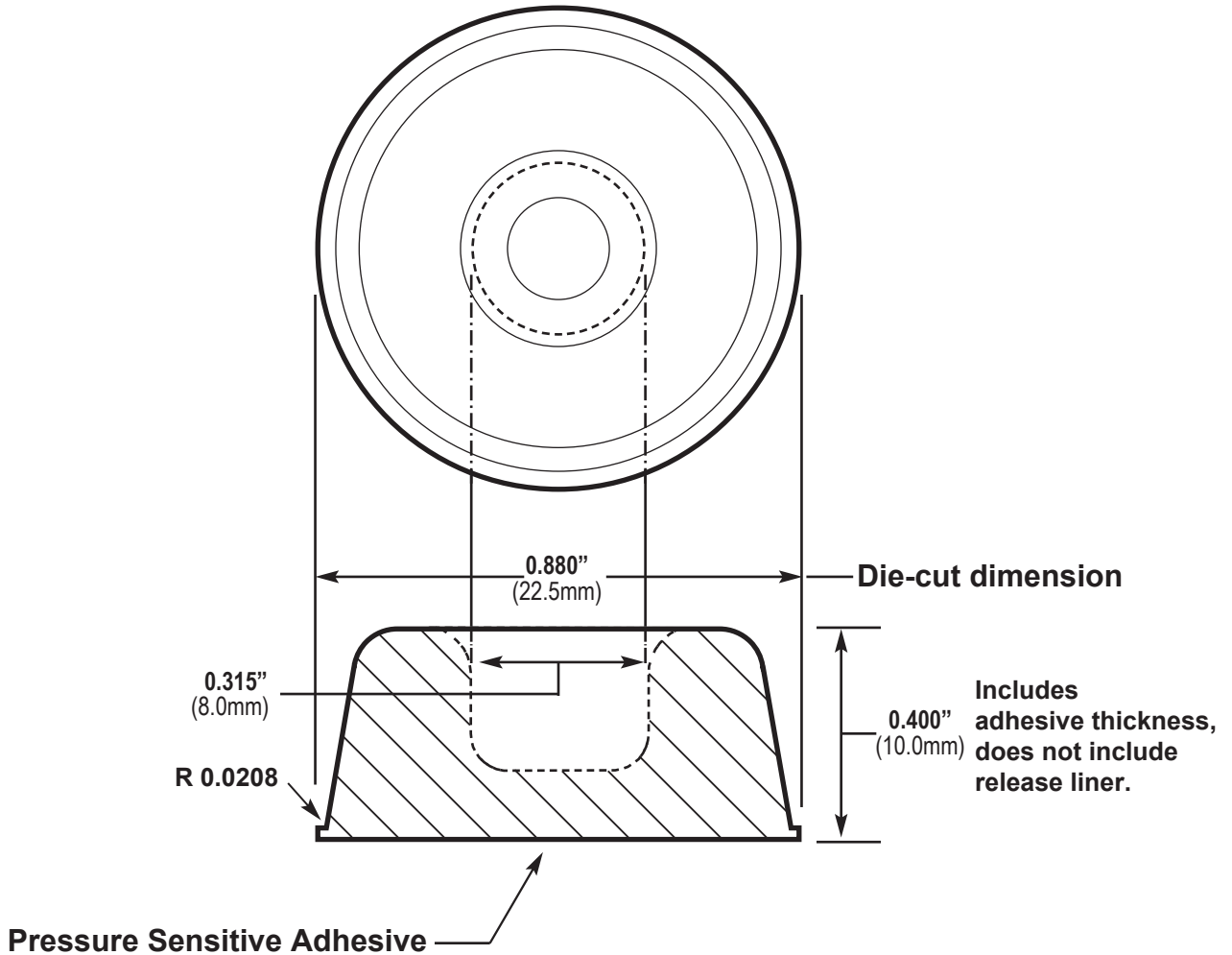


Bumper Specialties, Inc.

Made in the USA. Proudly distributed by:



**H.W. ECKHARDT
CORPORATION**
ENGINEERED FASTENERS



BS-17 Mechanical



Actual Size: Cross-Section

General Specifications

Material: Polyurethane
Pressure Sensitive Adhesive: Rubber - or - Acrylic
Durometer, Shore A: 60-70 Standard
Tolerance: ± 0.02 " (.5mm)

Sheet Size: 6" x 12"
Per Sheet: 72 Pieces — 6 across x 12 down
Per Box: 1,440 Pieces — 25 Sheets
Colors: Clear, Black, White, Brown, Gray